

# Washer extractors

## W3180M, W3250M, W3330M

### Features and benefits

- Frequency-controlled motor ensure flexibility in wash and extraction action
- Good dewatering ability thanks to higher G-force compared with a traditional solid mount machine
- Solid mount construction with robust frame in galvanized steel
- Low water consumption, up to 12 liter/kg dry linen (60°C without pre-wash). Depending on application
- Available with two types of program controls:
  - Exacta Control(R) microprocessor with up to 28 fixed wash program combinations. Some parameters programmable
  - Clarus Control fully programmable microprocessor, up to 192 programs
- Large door opening for easy loading/unloading
- Stainless and galvanized steel in all vital parts for high degree of rust protection
- Prepared for manual or automatic detergent supply
- Front panel in green and side panels in grey colour



### Main options

- Stainless steel front and/or side panels
- Dual drain valves for water re-use (Clarus Control)

Main specifications				W3180M		W3250M		W3330M	
Rated capacity, filling factor 1:10	kg/lb			18/40		25/55		33/73	
				13.8/30		19/42		25/60	
Drum, volume	litre			180		250		330	
	diameter	ø mm		650		725		795	
Extraction				619		587		561	
G-factor				140		140		140	
Heating alternatives	electricity	kW		13		18		23	
	steam			x		x		x	
	non-heated			x		x		x	
<b>Consumption data "Normal 60°C" 1:10 *</b>				El	Steam	El	Steam	El	Steam
Total time	min			46	**	47	**	45	**
Water consumption (cold/hot)	litre			187/33	187/33	266/46	266/46	350/60	350/60
Energy consumption (motor/heating)*	kWh			0.45/1.25	0.45	0.6/1.75	0.6	0.7/2.3	0.7
Steam consumption	kg			-	1.9	-	2.6	-	3.45

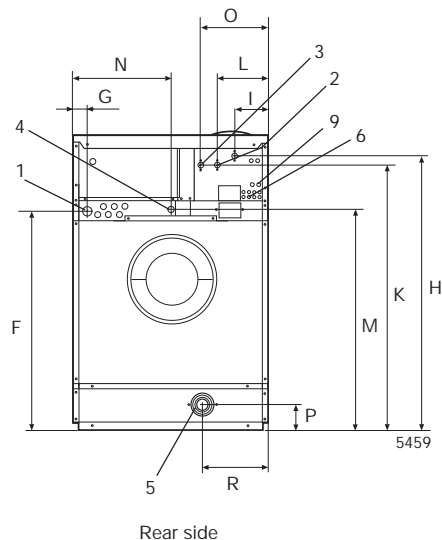
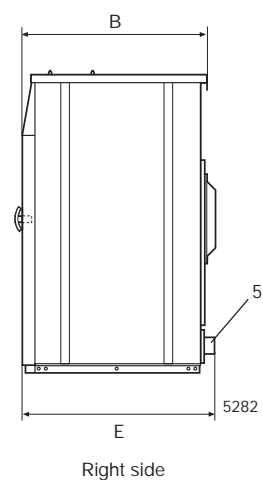
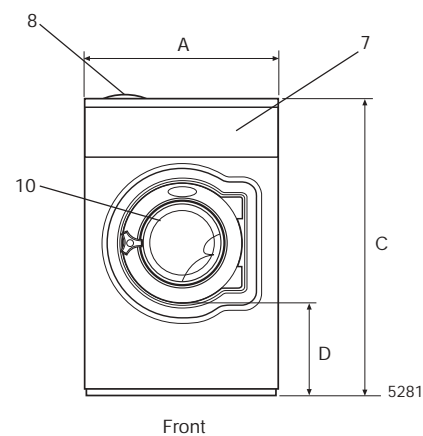
\* Water temperature 15°C cold water and 65°C hot water.

\*\* Depending on steam pressure.

Certified in accordance with ISO 9001 and ISO 14001 and approved IP 24D.

Electrical connections*		W3180M	W3250M	W3330M
Heating Voltage				
EI.	230V 3 AC 50 Hz kW(A)	12.4(35)	17.5(63)	22.4(63)
	208-240V 3AC 60 Hz kW(A)	10.3(35)	14.5(63)	28.6(63)
	400-415V 3N AC 50 Hz kW(A)	12.5(25)	17.7(35)	22.6(40)
Steam or non-heated	230V 1AC 60 Hz kW(A)	0.7(10)	1.6(10)	1.6(10)
	208-240V 1AC 60 Hz kW(A)	0.7(10)	1.6(10)	1.6(10)
	230V 1AC 50 Hz kW(A)	0.7(10)	1.6(10)	1.6(10)
<b>Water and steam connection</b>				
Water valves	DN	20	20	20
Water pressure	kPa	150-400	150-400	150-400
Capacity at 300 kPa	l/min	60	60	60
Drain valve	Ømm	75	75	75
Draining capacity	l/min	150	150	150
Steam valve	DN	15	15	15
Steam pressure	kPa	300-600	300-600	300-600
Liquid detergent supplies		5	5	5
<b>Floor requirements</b>				
Frequency of the dynamic force	Hz	10.3	9.8	9.4
Max floor load at extraction	kN	2.2±4.7	2.8±5.8	3.8±6.9
<b>Sound levels</b>				
Airborne sound level	dB(A)	74	74	74
<b>Heat emission</b>				
% of installed power, max		5	5	5
<b>Shipping data</b>				
shipping volume	net, kg	205	282	298
	crated, kg	222	302	318
	m <sup>3</sup>	1.18	1.51	1.82
<b>Accessories</b>				
Steel base frame		x	-	-
Water re-use tank (Clarus Control)		x	x	x
Hose connection kits for water or steam		x	x	x
<b>Dimensions in mm</b>				
A Width		750	830	910
B Depth		880	955	1040
C Height		1325	1410	1445
D		365	435	500
E		825	915	1075
F		1035	1120	1155
G		45	45	45
H		1245	1330	1365
I		160	160	170
K		1225	1290	1325
L		245	245	255
M		1040	1125	1155
N		325	325	280
O		335	335	335
P		100	100	145
R		225	265	180
1 Electrical connections	6 Liquid supply connections			
2 Cold water	7 Control panel			
3 Hot water	8 Soap box			
4 Steam connection	9 Connections for water re-use			
5 Drain	10 Door opening ø395 (W3180M) ø435 (W3250M, W3330M)			

\* Other voltages available, see installation manual.



**Electrolux**

ELECTROLUX LAUNDRY SYSTEMS

Lundtoftegaardsvej 93A, DK-2800 Lyngby, Denmark  
Telephone: +45 4526 4800. Telefax: +45 4526 4801  
Internet: www.electrolux.com/laundrysystems  
E-mail: els.info@electrolux.com

**The Electrolux Group. The world's No. 1 choice.**

The Electrolux Group is the world's largest producer of powered appliances for kitchen, cleaning and outdoor use. More than 55 million Electrolux Group products (such as refrigerators, cookers, washing machines, vacuum cleaners, chain saws and lawn mowers) are sold each year to a value of approx. USD 14 billion in more than 150 countries around the world.

Art. No. 438908911/09 04.14  
We reserve the right to alter specifications without notice.